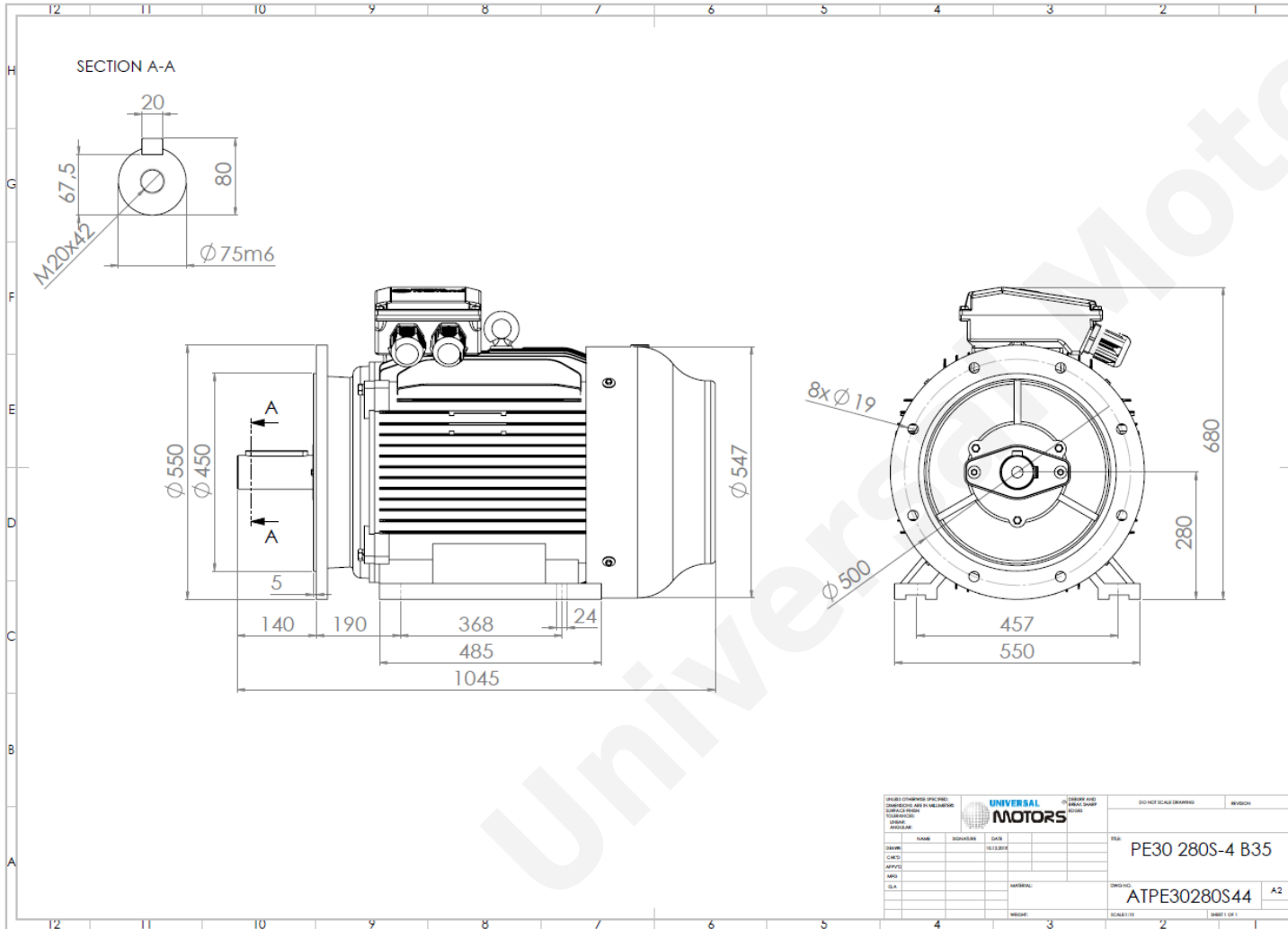




# TECHNICAL DATA

Three Phase Electric Motors - Cast Iron Frame  
 PE30 280 S 6 IE3  
 45 kW / 60 Cv  
 990 RPM



Motor type:	<b>PE30 280 S 6 IE3</b>
Output:	<b>45 kW / 60 Cv</b>
Speed (min <sup>-1</sup> ):	<b>990 RPM</b>
Frequency:	<b>50 Hz</b>
Voltage:	<b>400 V</b>
Current:	<b>81.6 A</b>
Power factor (Cos $\phi$ ):	<b>0.85</b>
Poles:	<b>6</b>
Insulation class:	<b>F</b>
Temperature rise Class:	<b>B</b>
Efficiency 50%:	<b>92.9 %</b>
Efficiency 75%:	<b>93.7 %</b>
Efficiency 100%:	<b>93.8 %</b>
Torque:	<b>434 N.m</b>
Tstarting/Tnominal:	<b>2.0</b>
Istarting/Inominal:	<b>7.3</b>
Tmaximum/Tnominal:	<b>2.0</b>
Noise:	<b>67 Db(A)</b>
Weight:	<b>522 Kg</b>
Bearing DE:	<b>6317 C3</b>
Bearing NDE:	<b>6317 C3</b>

**Regime - S1**

**Altitude - 1000m**

**Environment Temperature - 40°C**

**CONTACTS:**

UNIVERSAL MOTORS Tel: +351 252 299 080  
 Rua de São Brás,745 Fax: +351 252 299 089  
 4480-782 VILA DO CONDE Mail: [geral@universalmotors.pt](mailto:geral@universalmotors.pt)

\* References applied only in the UK